

# Oil Humidity Sensor NP330-F

## Measuring water in oil up to saturation limit.

### Measuring absolute water content in hydraulic oil and customer-specific liquids

- The Water-in-Oil monitoring system NP330-F has been constructed for inline measurement of the absolute water content in mineral-, ester-, silicon-, vegetable-, Diesel-, cooling-, trafo-, insulating-, Skydrol- and other oils as well as in customer specified applications
- Through continuous monitoring, the system has various advantages over sampling determination of water content by chemical methods, e.g. increased safety, avoidance of secondary damage, reduction of downtime and repair costs, as well as analysis, production, energy and maintenance costs

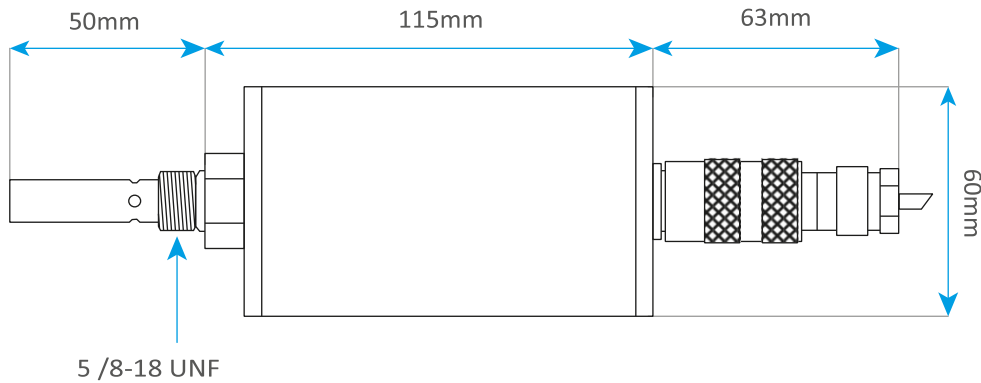
### Features

- Continuous monitoring (inline measurement)
- Long-term stability
- Temperature compensation
- High measurement accuracy and pressure resistance
- Output of absolute water content in ppm
- For various oils and customer-specific liquids (on request)
- System is calibrated against Karl Fischer titration (ASTM D1533) on user oil



# Oil Humidity Sensor NP330-F

## Dimension



## Application fields e.g.

- Hardening Plant
- Oil Regeneration Plant
- Drying Plant
- Oil Cooler Monitoring
- Hydraulic Systems
- Refrigerating-Machine Oil
- Customer-Specific Liquids

## Accessories

- Table Display
- Mobile Data Logger
- Sensor Chamber
- Sensor Connection Cable
- 1/2 -inch Thread Adaptor
- PC Software Autocali

## Technical Data

- Current Output  
4 – 20 mA
- Serial Interface  
RS232
- Switching Output  
24 V DC
- Typical Measurement Range  
10 – 40.000 ppm (upper range limited to oil saturation)
- Temperature of Liquid  
–20°C bis +70°C  
(higher medium temperature on request)
- Supply  
18 – 24 V DC / max. 70 mA
- System Pressure  
Up to 300 bar
- Mounting Depth  
50 mm with 1/2-inch thread
- Protection Type  
IP65

# Oil Humidity Sensor NP330-F

## Order Data

---

Article	Model Number	Order Number
Sensor NP330-F (Standard Calibration)	NP330-F	22972
Sensor NP330-F (High Precision Calibration)	NP330-F	12941
Sensor NP330-F (Calibration on Skydrol)	NP330-F-Skydrol	13956
Accessories		
Sensor Connection Cable, 5m	NP390	12938
Sensor Chamber Material Stainless Steel 1.4301 Connection Thread G1/8-inch	NP338	13981
Mobile Data Logger	P005	13994
Table Display 0 to 1999 ppm H <sub>2</sub> O	NP415	13976
PC-Connecting Kit incl. Power Supply, Sensor Cable, Serial Cable	NP374	13997
Software		
Autocali Software	4.4.3	412